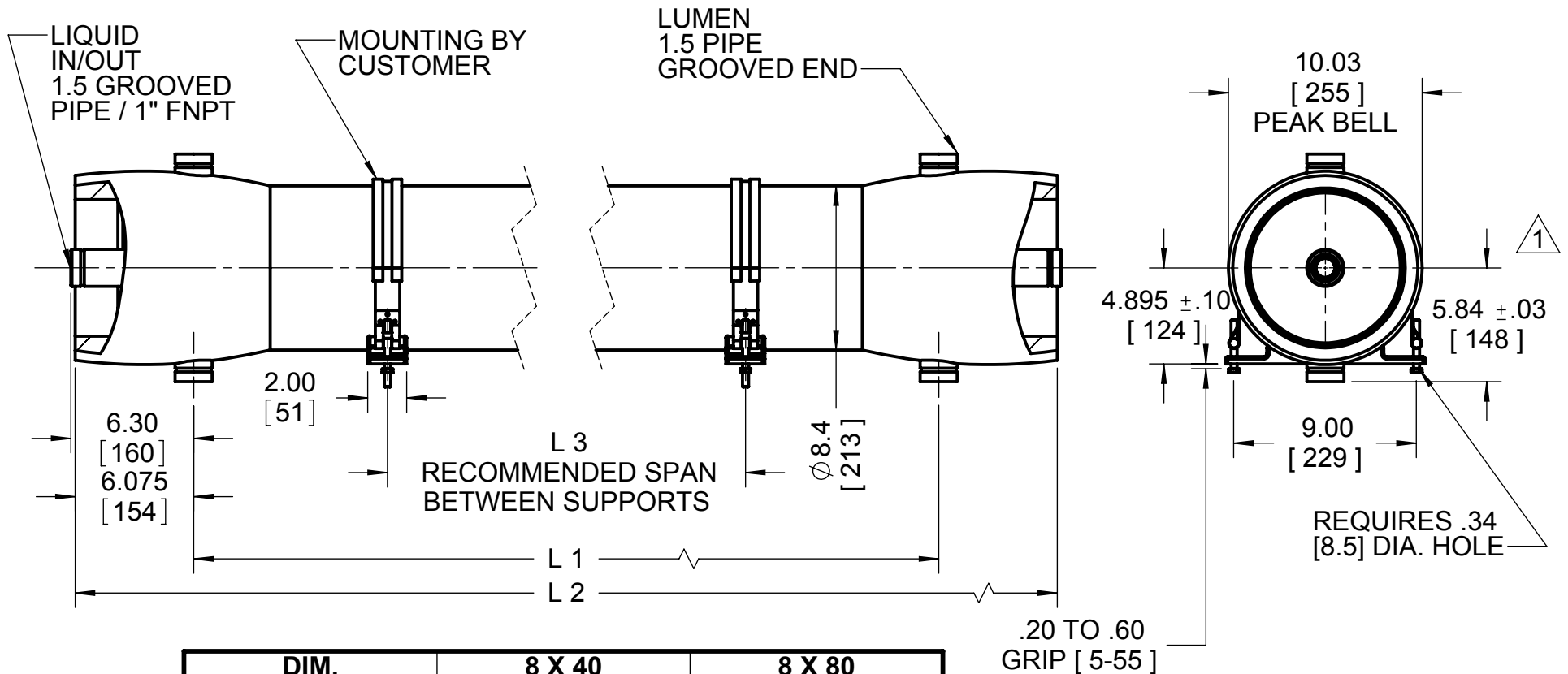


REV.	DESCRIPTION	DATE
1	CORRECTED DIM. PLACEMENT	11/11/2011



DIM.	8 X 40	8 X 80
L 1	47 [1194]	87 [2210]
L 2	59.15 [1502]	99.15 [2518]
L 3	16 [406]	56 [1422]

<p>CONFIDENTIAL</p> <p>THE INFORMATION CONTAINED IS CONFIDENTIAL. SUCH INFORMATION IS THE PROPERTY OF MEMBRANA AND MAY NOT BE USED BY, OR DISCLOSED TO OTHERS WITHOUT WRITTEN CONSENT OF MEMBRANA. THE INFORMATION CONTAINED HEREIN MAY NOT BE USED FOR ANY PURPOSE OTHER THAN THE EXPRESSED INTENT FOR WHICH IT WAS LENT.</p> <p>©2012 Membrana-Charlotte. All rights reserved.</p>	UNLESS OTHERWISE SPECIFIED:		SCALE: 1:8	NAME	DATE	
	DIMENSIONS IN INCHES TOLERANCES: FRACTIONAL ±.06 ANGULAR: ±1°	DIMENSIONS IN MILLIMETERS TOLERANCES: ANGULAR: ±1° ZERO PLACES ±1.5 ONE PLACE ±.5 TWO PLACES ±.12	WT:	DRAWN	TDP	
	ONE PLACE DECIMAL ±.06 TWO PLACE DECIMAL ±.02 THREE PLACE DECIMAL ±.005	INTERPRET GEOMETRIC TOLERANCING PER: ANSI Y14	Purchase Spec:	ENG APPR.		
	MATERIAL	SIZE A	TITLE: 8 X 40, 8 X 80 CONTACTOR	MFG APPR.		
MEMBRANA	DO NOT SCALE DRAWING	PART NO.	DWG. NO. SMC-0108-12-7784	SHEET 1 OF 1	REV 1	